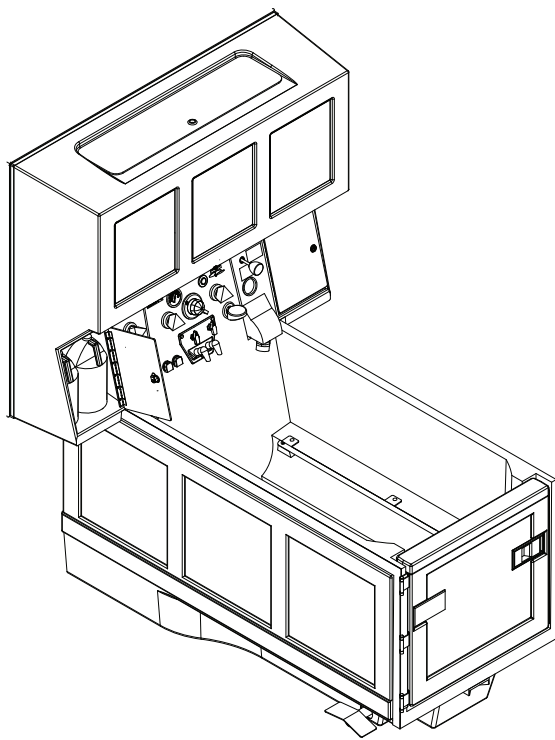


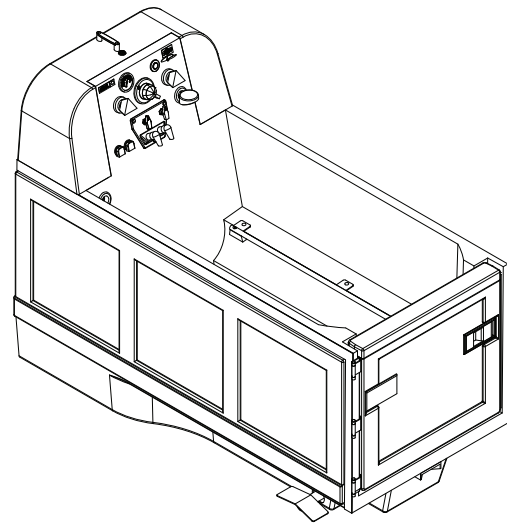
APOLLO

C o r p o r a t i o n

Advantage™ Series Bathing System Specifications



6000 Series



6300 Series

The information in this manual is subject to change without notice.

In no event will Apollo Corporation be liable for technical or editorial omissions made herein; nor for direct, special, incidental, or consequential damages resulting from the furnishing, performance, or use of this material.

This manual is copyrighted with all rights reserved. Under the copyright laws, this manual may not be copied, in whole or part, without the written consent of Apollo Corporation.

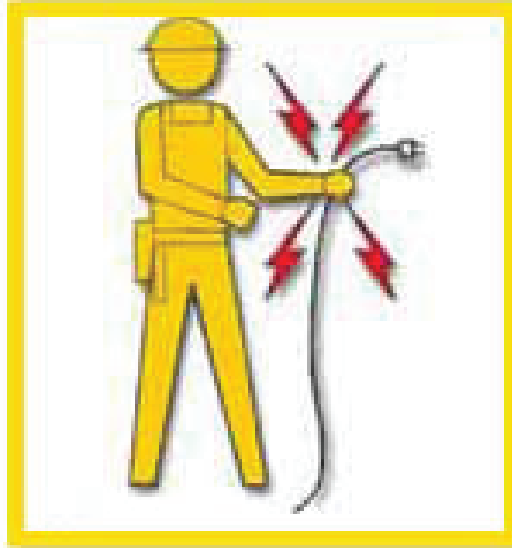
Table of Contents

Plumbing and Electrical Codes	4
Apollo Advantage™ Bathing System Specifications	5
Bathing Room Preparation	6
Plan Bathing System Location	6
Bathing System Dimensions	7
Electrical Service Installation.....	8
Plumbing Service Installation	8
Electrical / Plumbing Connections Diagrams	9
Floor Drain Connection Diagram.....	10
Floor Drain Installed Diagram	11
Floor Sink Connection Diagram.....	12
Floor Sink Installed Diagram.....	13
Wall Drain Connection Diagram	14
Wall Drain Installed Diagram.....	15

Plumbing and Electrical Codes

All states and municipalities may differ extensively in their plumbing and electrical codes. Therefore, it is Apollo Corporation's recommendation that you check with the proper enforcement agencies in your area before installation.

All Apollo bathing systems are manufactured with built-in backflow prevention. However, due to different plumbing codes, it is advisable that you ask your installer whether there is a need to install additional backflow prevention valves (such as RPZ valves) on any new construction.



NOTE

- Lock Out or Tag Out electrical circuit for bathing system BEFORE installation.
- Electrical Protection: Class 1 Type B applied part.
- Bathing system installation must comply with all applicable building and health codes and regulations.
- It is recommended that hot water not greater than 120°F (49°C) be delivered to the bathing system.

Advantage™ Series Bathing System Specifications

Apollo Advantage™ Bathing System Specifications

Minimum Room Size: 72 in (182.9 cm) wide by 108 in (274.3 cm) long **Space Saver** 72 in (182.9 cm) wide by 96 in (243.8 cm) long

Dimensions:	Length	Width	Height (All)
Tub:	71 in (180.3 cm)	34 in (86.5 cm)	36 in (91.4 cm) Side of Tub
Space Saver:	59 in (149.8 cm)	34 in (86.5 cm)	50 in (127.0 cm) at Control Panel Top
Cabinet:	17 in (43.2 cm) Deep	56 in (142.2 cm)	81 in (205.7 cm) Max installed (Reservoir)
Level Glide™ Carrier:	32.5 in (82.5 cm)	23.75 in (60.3cm)	40 in (101.6 cm)

Installed Length: Door Closed: 71 in (180.3 cm) Door Open: 102 in (259.1 cm)

Space Saver: Door Closed: 59 in (149.8 cm) Door Open: 90 in (228.6 cm)

Component Weight: Tub 289 lb (131 kg)

Cabinet 183 lb (83 kg)

Level Glide™ without Scale 83 lb (38 kg)

Level Glide™ with Scale 118 lb (53.5 kg)

Total Shipping Weight: 845 lb (384 kg)

Installation Time: 1.5 Hours

Inspection & Adjustments: 1 Hour

Reservoir Capacity: Maximum of 65 gal (247 L)

Water Supply: Requires two (2) 0.75 in (1.9 cm) garden hose thread (GHT) wall mounted faucets. Minimum of 30 PSI (2.1 Bar) for hot and cold required.

Water Connection: Provided with two (2) 60 in (152.4 cm) high pressure stainless steel hoses with 0.75 in (1.9 cm) GHT ends.

Waste: 2 in (5.1 cm) PVC schedule 40 pipe. Outside diameter 2.4 in (6.1 cm)

Electrical: Dedicated 115 VAC plug-in receptacle protected by a 15A GFCI circuit breaker (not supplied).

Tub Fill: RADA Thermoscopic mixing valve; ASSE 1016 certified.

Shower: Hand held with 84 in (213.4 cm) ANSI A112.18.1 hose and ASSE 1014 Vacuum Breaker

Tub Entry: Door with 24.5 in (62.2 cm) opening where residents are transferred into tub.

Gaskets: Dual gaskets extruded from EDPM Neoprene.

Whirlpool Models

Whirlpool Pump Motor: 1.5 HP; 13A; 115 VAC; 60HZ; 3400 RPM; 125 GPM at 10 PSI head pressure.

Whirlpool Control: Pneumatic pushbutton switch.

Whirlpool Jets: Four whirlpool jets with adjustable nozzles.

Whirlpool Water Requirement: 54 gal (205 L) (Space Saver 47 gal or 178 L) minimum required to run whirlpool jets without resident.

Air Spa Models

Air Spa Blower Motor: 900 W variable speed, thermally protected blower motor with 300W ceramic heating element, 120 VAC; 11A; 60 HZ.

Air Spa Control: Multifunction, low voltage DC electronic keypad

Air Spa Jets: 20 total air jets (16 on Space Saver), 2 seat jets with 6 lateral openings each and 18 vertical jets (14 on Space Saver) with 24 openings each.

Air Spa Water Requirement: None

Level Glide™ Transfer System

Carrier: Heavy duty stainless steel.

Casters: Four heavy-duty, medical grade, stainless steel ball bearing swivel casters with 4 in (10 cm) non-marring wheels. Two of the casters have toe released brakes.

Chair: Stainless steel frame with plastic contoured seat and back.

Safety Straps: 2 safety straps.

Capacity: 400 lb (181 kg)

Safety Locks: Chair single lock to release chair from track stops. Dual secondary locks that release during transfer into tub.

***Specifications subject to change**

Bathing Room Preparation

Plan Bathing System Location

!WARNING!

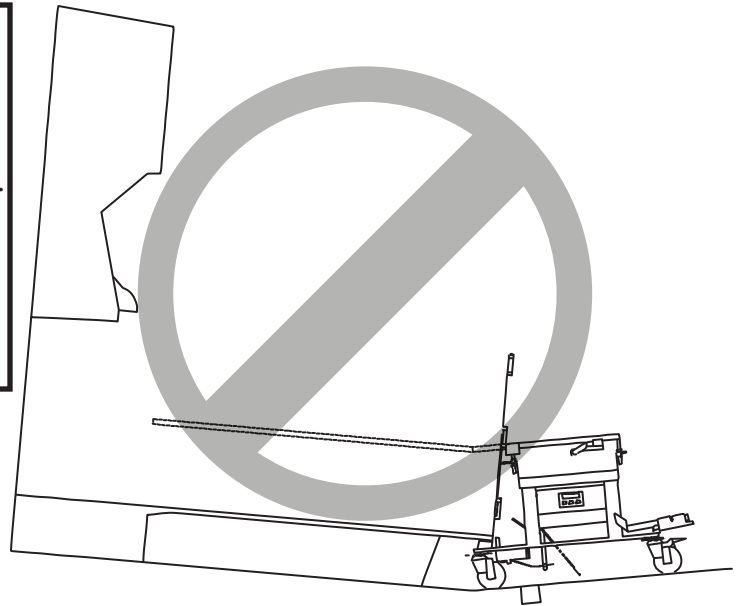
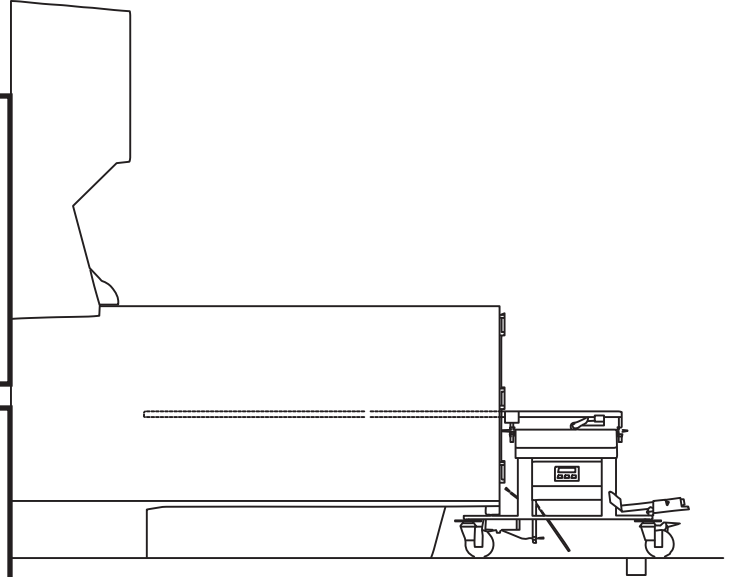
- Floor must be flat and level for Level Glide™ Transfer System to operate correctly. Choose the flattest floor location possible.
- Rails must align to prevent chair derailment.
- Level Glide™ Transfer System must lock securely to avoid separation from the tub.

CAUTION

- Bathing room characteristics; including room dimensions, door sizes and floor drain placement, must comply with all applicable building and health codes.

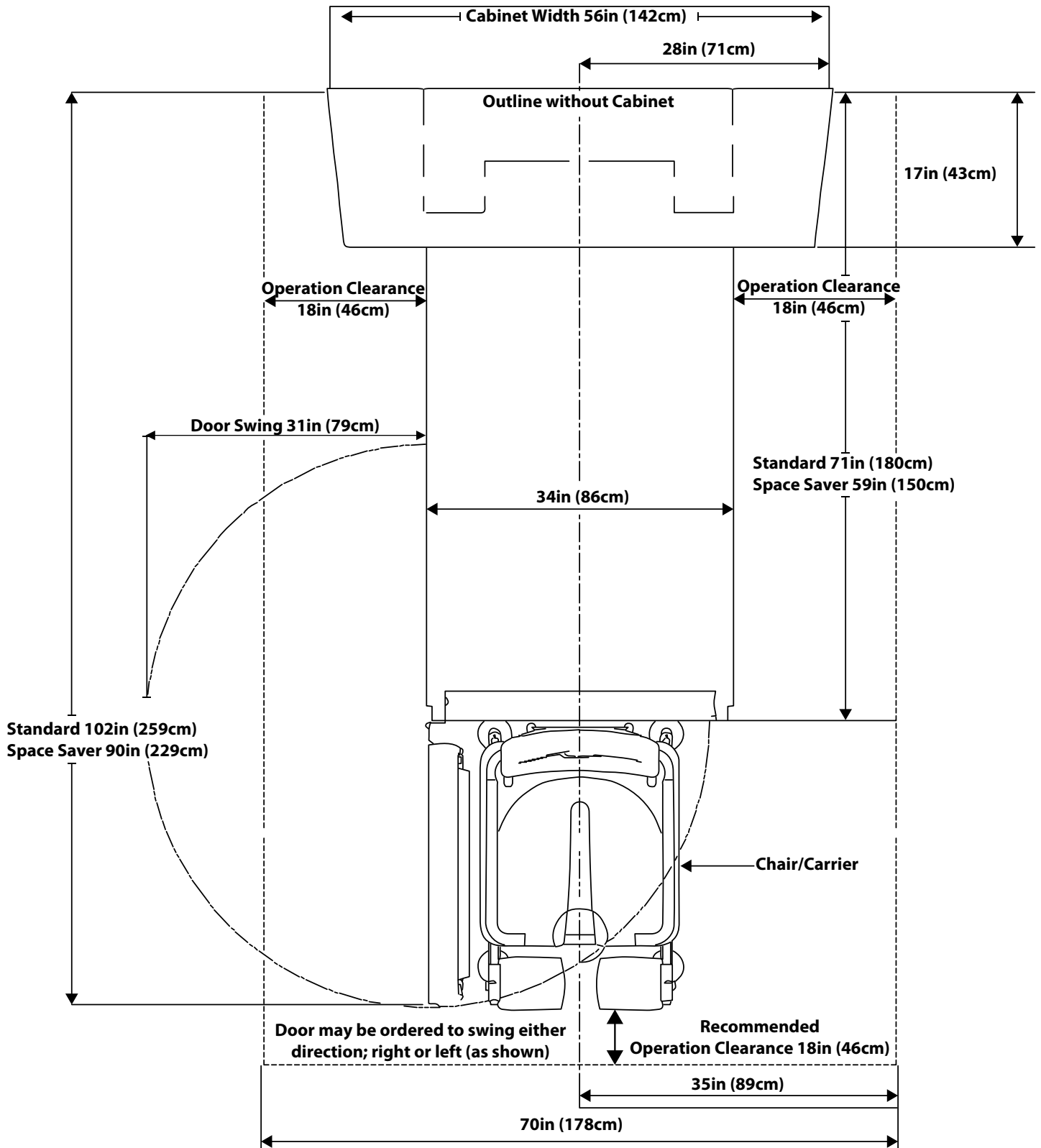
NOTE

- Clearance of 18in (46cm) or more is recommended for ease of use and serviceability.
- A floor drain is recommended in the bathing room in case an emergency evacuation is required. Drain should not be in a place where it will interfere with resident transfer.
- Be sure cabinet does not cover switches, valves, or other items that must be reached by attendants or patients.



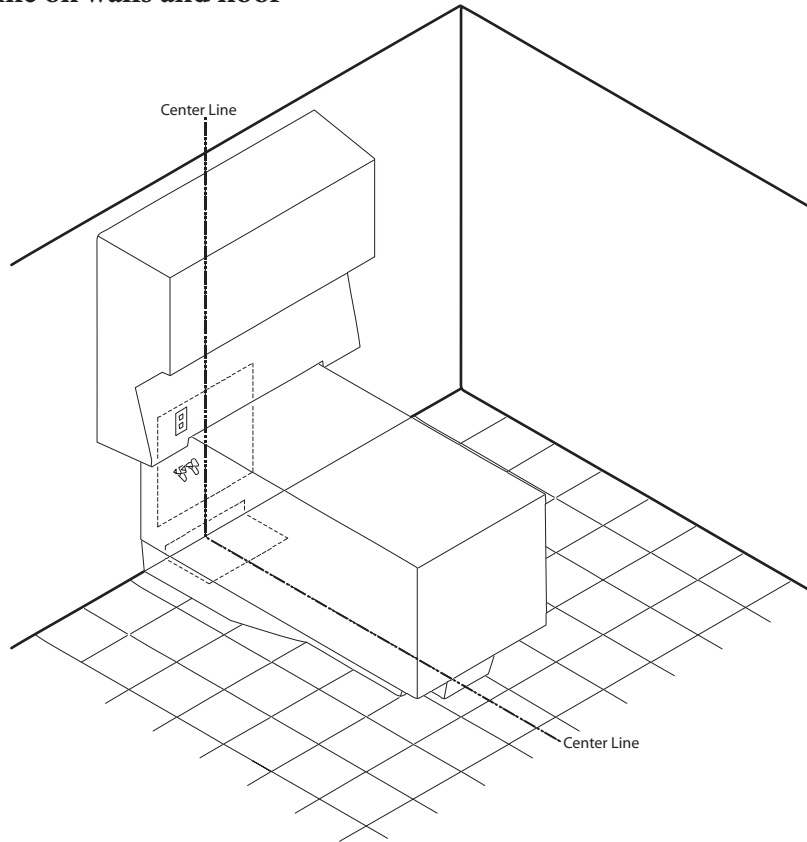
Advantage™ Series Bathing System Specifications

Bathing System Dimensions



Advantage™ Series Bathing System Specifications

- Mark tub center line on walls and floor



Electrical Service Installation

- Install the electrical service: Refer to the Electrical / Plumbing Connections diagram on the next page

!WARNING!

- Electrical current can cause severe injury or death.
- Turn off power breaker.
- Lock circuit open to prevent accidental activation.
- Electrical service must be located higher than the plumbing service.
- Install a Class A Ground Fault Interrupter (GFI) between the bathing system and the incoming electrical power supply. GFI must be easily accessible to reset if needed.

NOTE

- Recommended service for U.S. grounded 120 VAC, 15A with Class A Ground Fault Interrupter (GFI) to be supplied by facility's electrician.
- Electrical outlet for the Whirlpool or Air Spa must not have a built-in GFI.
- Electrical wiring must comply with all applicable building and electrical codes. A licensed electrician may be required to install this service.

CAUTION

- Wall and floor openings used to install electrical connections should be closed and sealed to help maintain sanitary conditions.

Plumbing Service Installation

- Install the plumbing service: Refer to the Electrical / Plumbing Connections diagram on the next page)

NOTE

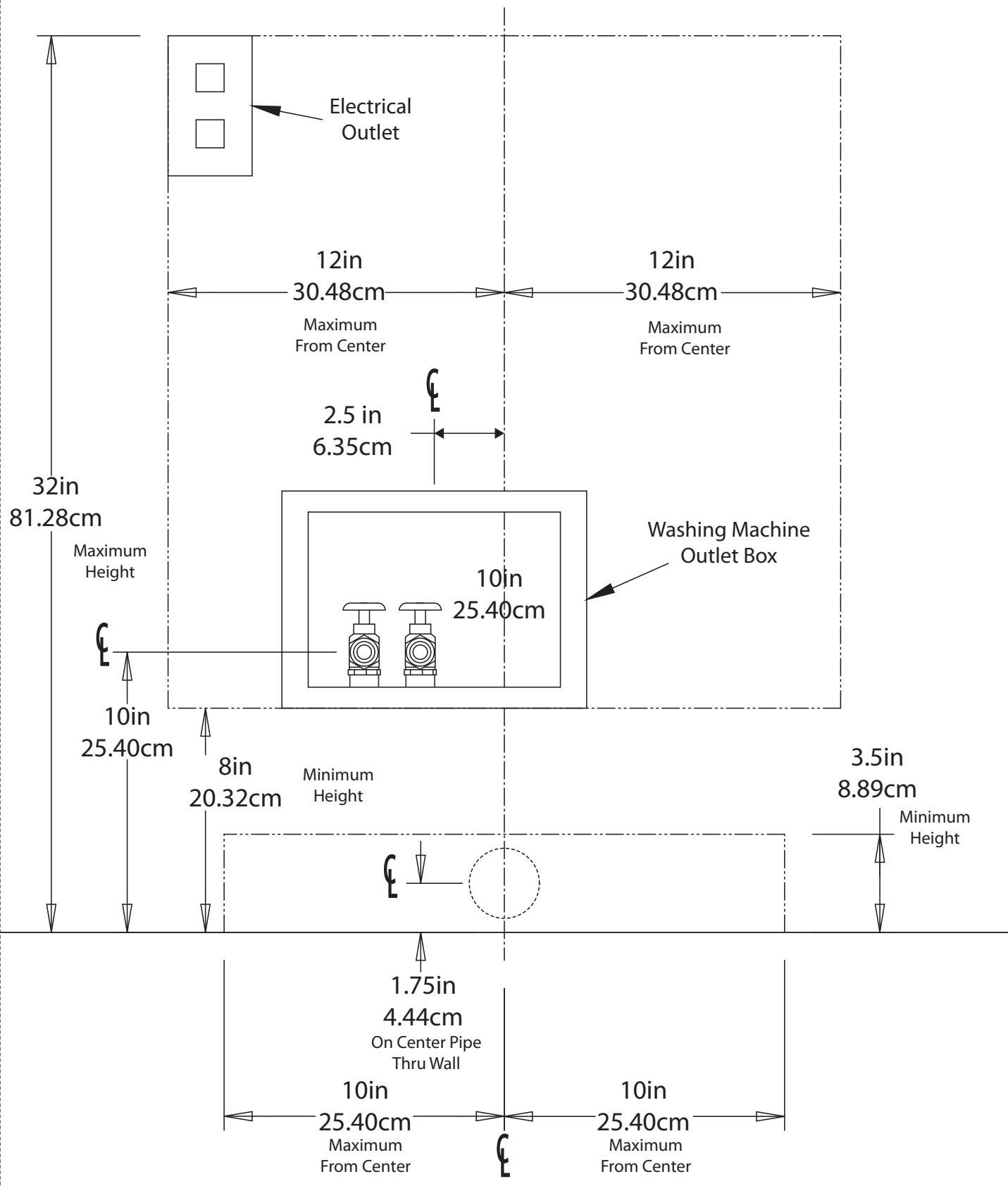
- Minimum required water pressure is 30 PSI (2.1 Bar) for both hot and cold water supply.
- Plumbing service must comply with all applicable building and plumbing codes. A licensed plumber may be required to install this service.
- Local plumbing codes may require a backflow preventer to be installed in both hot and cold water supply lines.

CAUTION

- Wall and floor openings used to install plumbing connections should be closed and sealed to help maintain sanitary conditions.

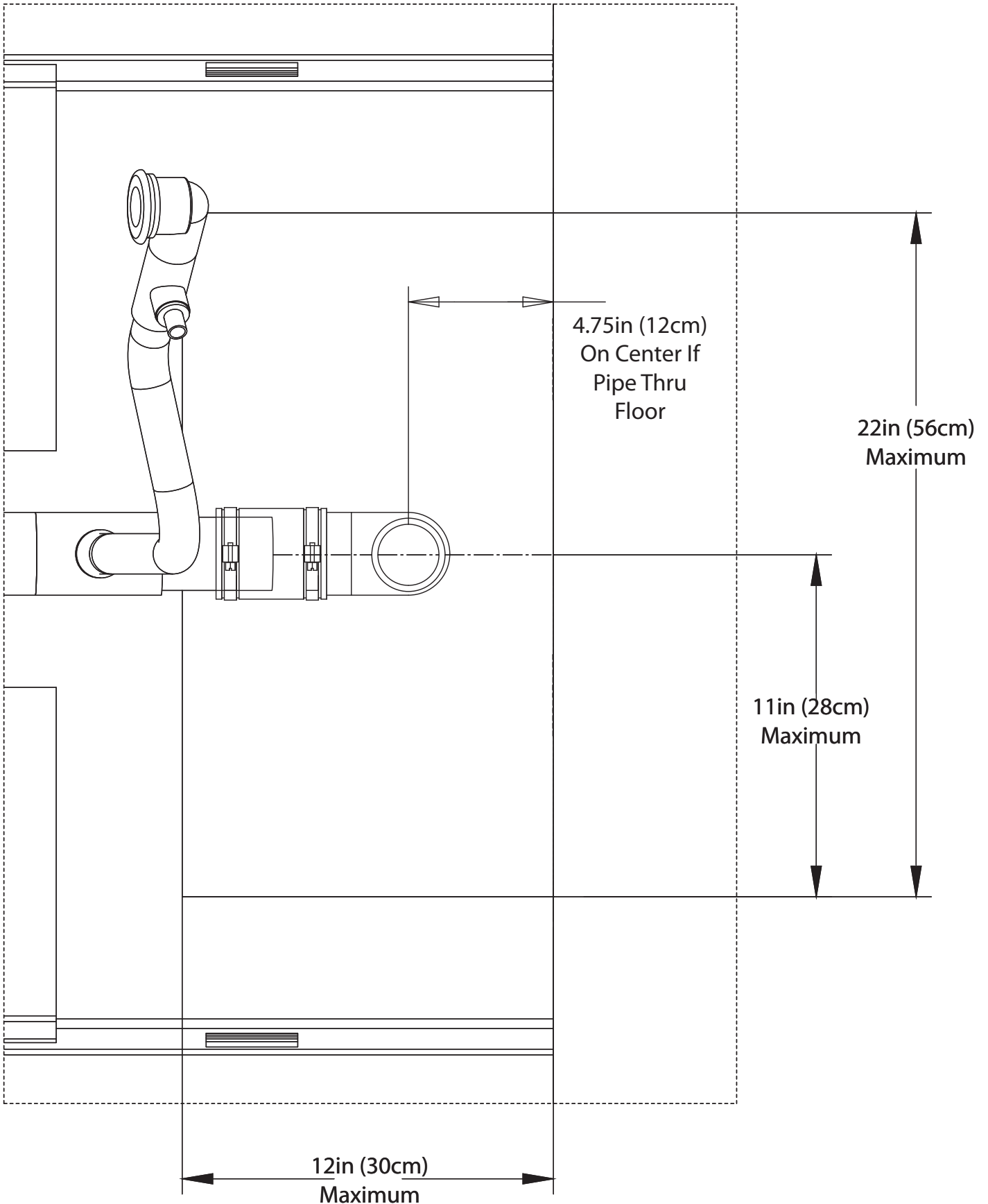
Electrical / Plumbing Connections Diagrams

Electrical And Water Connections Can Be Anywhere Within This Area



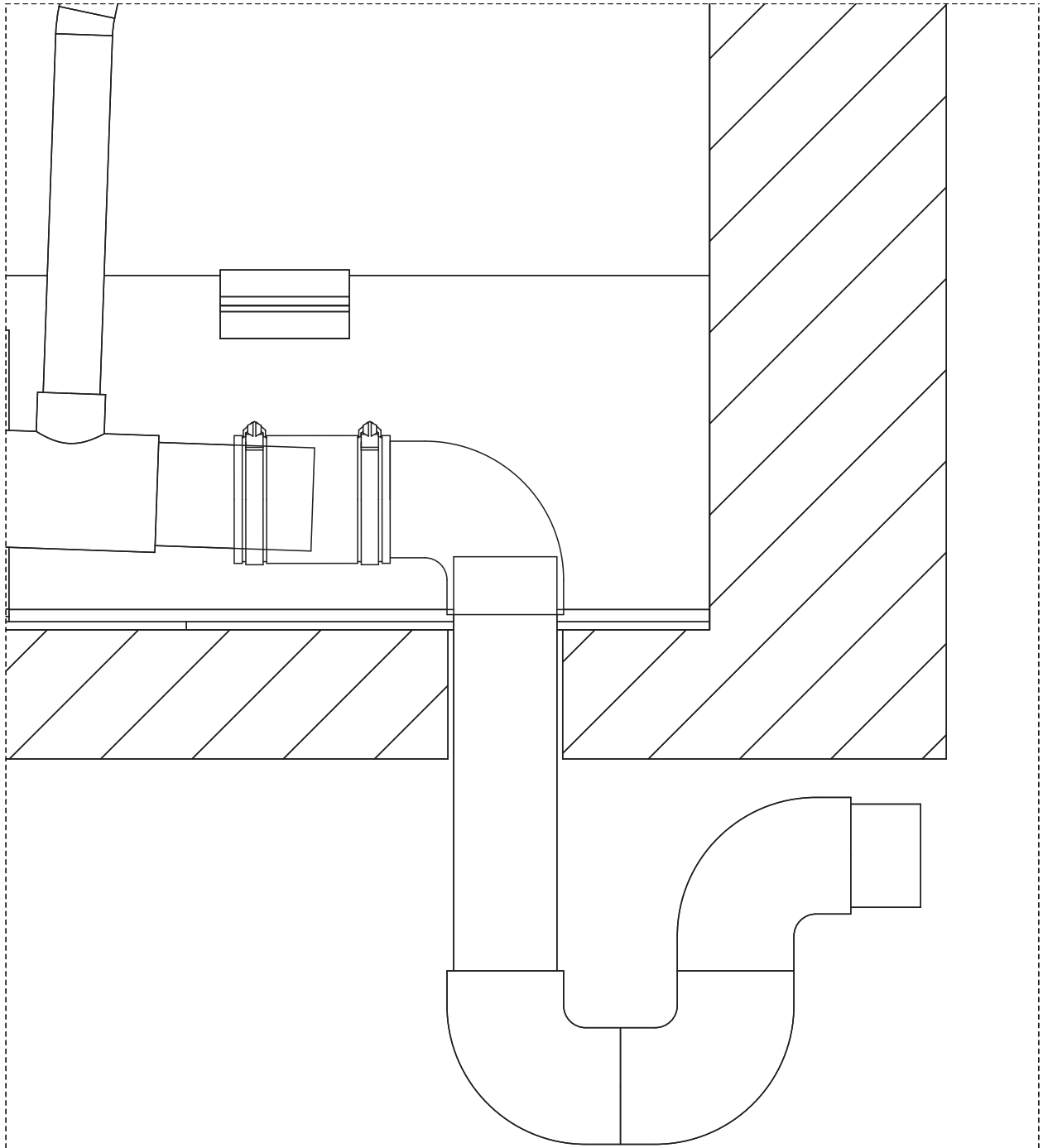
Wall (or) Floor Drain Pipe Can Be Anywhere Within This Area

Floor Drain Connection Diagram

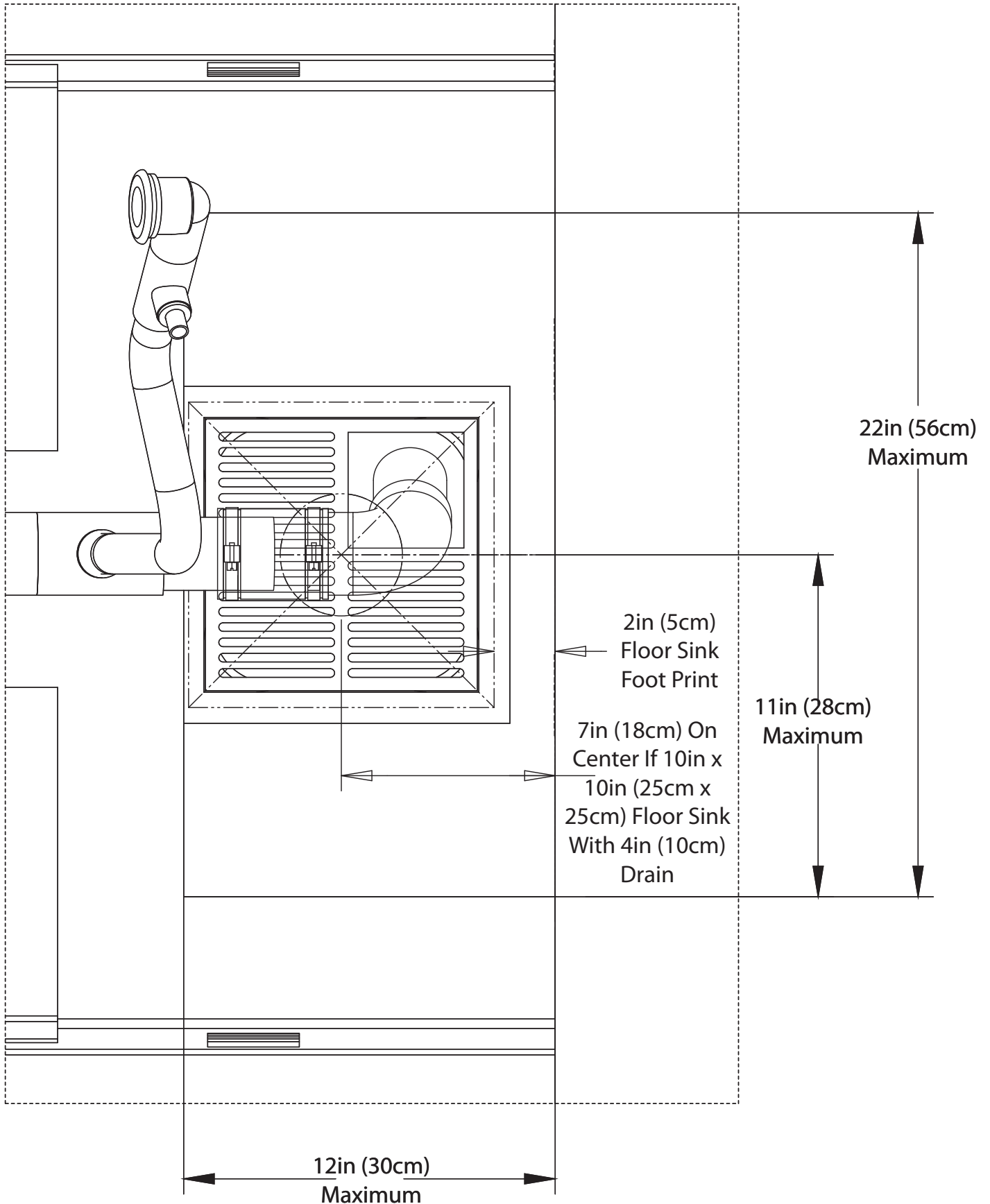


Advantage™ Series Bathing System Specifications

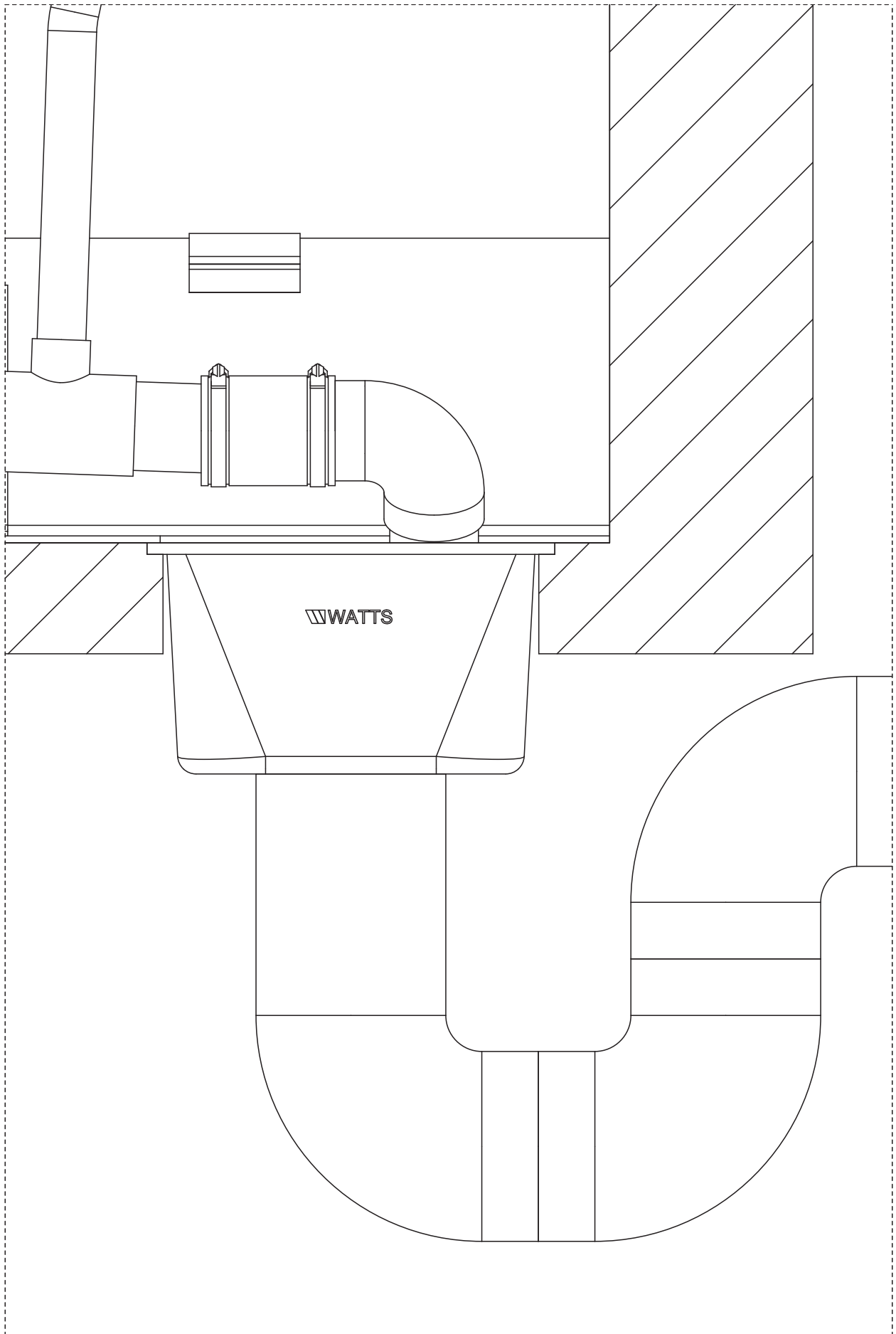
Floor Drain Installed Diagram



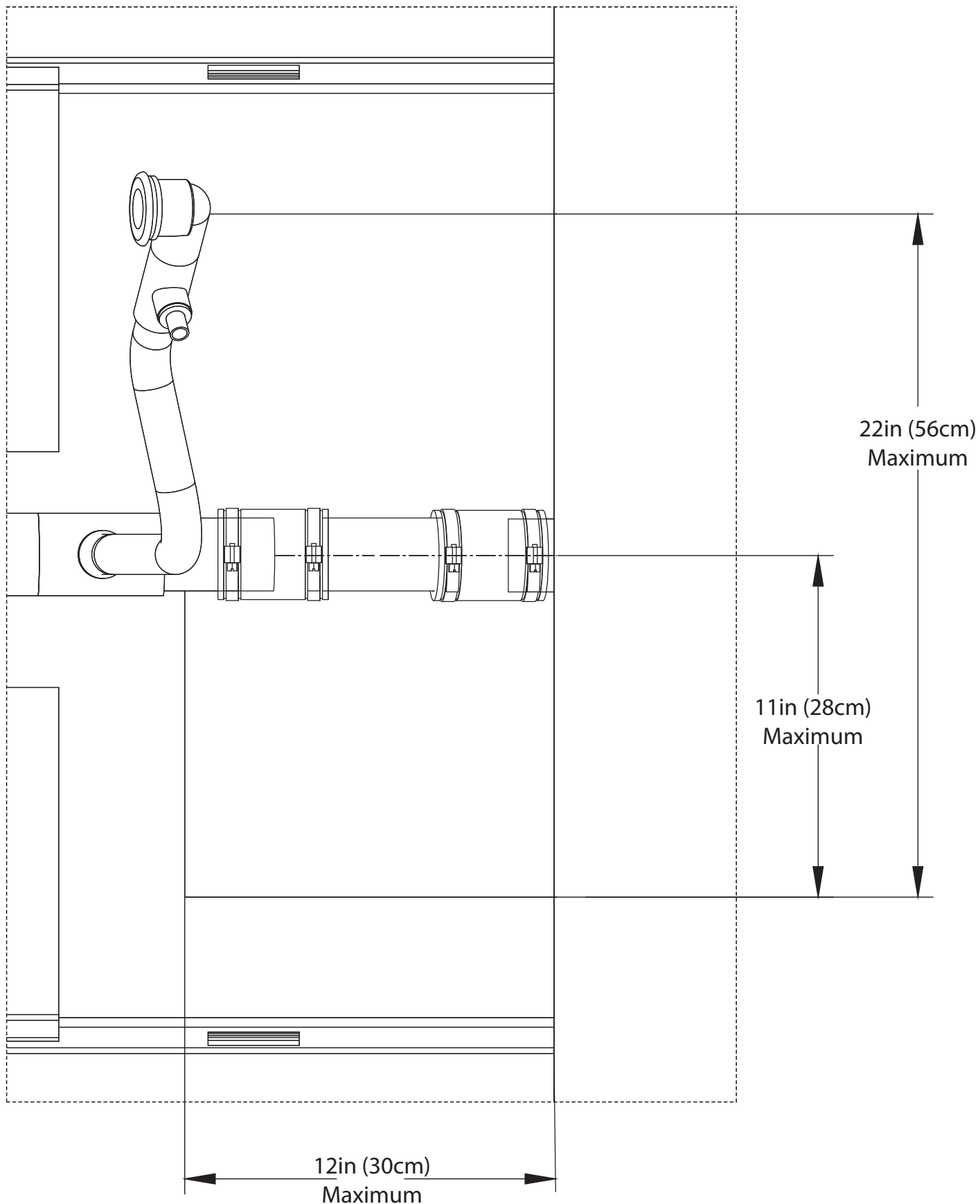
Floor Sink Connection Diagram



Floor Sink Installed Diagram



Wall Drain Connection Diagram



Wall Drain Installed Diagram

