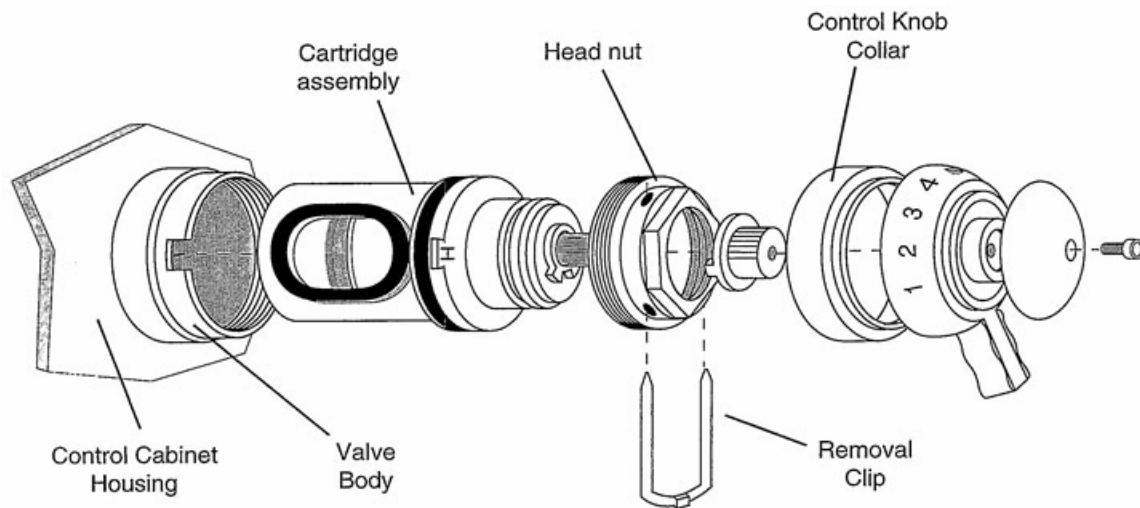


## **Rada® 222 Thermostatic Mixing Valve**

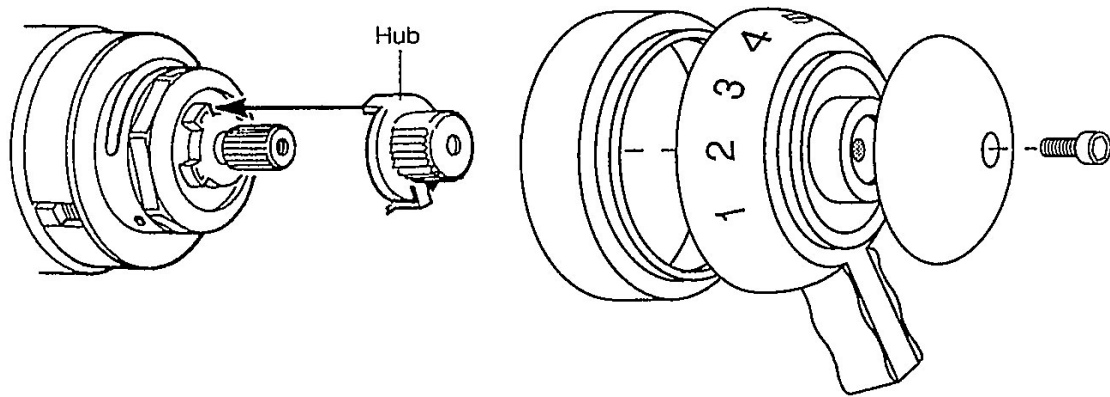
### **Thermostatic Cartridge Removal and Replacement**



1. Shut off water supply to the valve.
2. Using 3mm hex wrench, remove the Center Cap Screw.
3. Remove all plastic coverings.
4. Remove the plastic retaining clip from brass retaining nut.
5. Use an adjustable wrench or a channel lock pliers to loosen nut and remove.
6. Remove the cartridge from the valve body by pulling it straight toward you.
  - If you are discarding the cartridge, use channel lock pliers to pull it out of the housing.
  - If you intend to reuse the cartridge, install the center cap on the spindle and use it as a handle to pull the cartridge out. This will prevent damaging the spindle.
7. Lubricate the o-rings on the new cartridge with the enclosed grease.
8. Place the new cartridge in the valve body; red tab on left and black tab on right.
9. Push the cartridge in firmly, being careful that the o-rings stay in place. Cartridge is in when both tabs are fully seated in slots on the valve body.
10. Re-install the brass retaining nut and retaining clip.
11. Turn on water and check for leaks.
12. Refer to Set Maximum Water Temperature on page 2.

## Set Maximum Water Temperature

- Check that an adequate supply of hot water is available to the valve.
- Temperatures should always be checked using a thermometer of recorded accuracy.



1. Using 3mm hex wrench, remove the Center Cap Screw.
2. Remove the Center Cap and Temperature Knob.
3. Remove the Temperature Hub from inside the Temperature Knob.
4. Turn on the Tub Fill Valve or Reservoir Fill Valve (if applicable).
5. With the water running, rotate the spindle clockwise to decrease temperature or counter-clockwise to increase temperature.
  - You may find it easier to rotate the spindle if you place the Temperature Hub back on the spindle and use it as a knob.
6. Once the desired maximum water temperature is achieved, re-fit the Temperature Hub onto spindle so the nub on the bottom of the Temperature Hub seats against the stop on the cartridge face. (See Illustration) Be careful not to turn the spindle, therefore changing your temperature setting.
7. Manually check water temperature to be sure it has not changed.
8. Install the Temperature Knob so the indication **9** is in the 12 O'clock position.
9. Install the Center Cap and screw.